

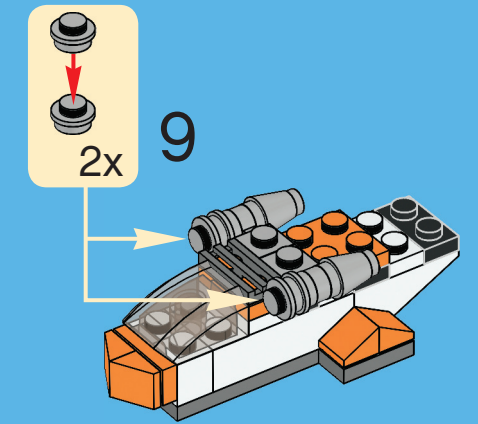
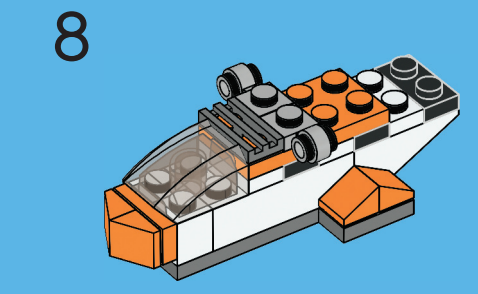
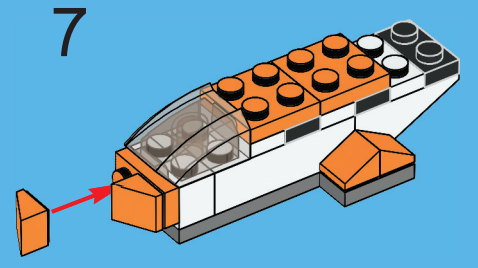
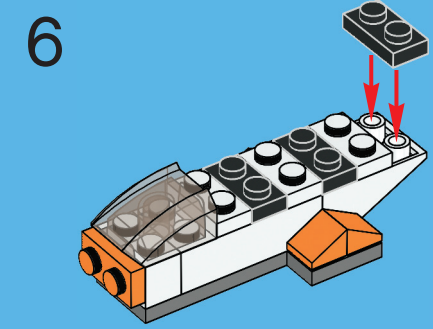
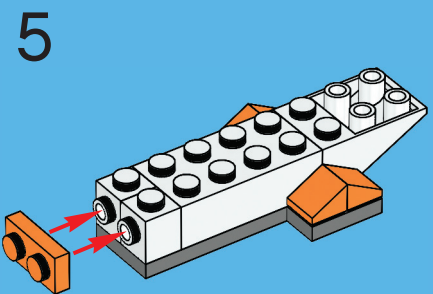
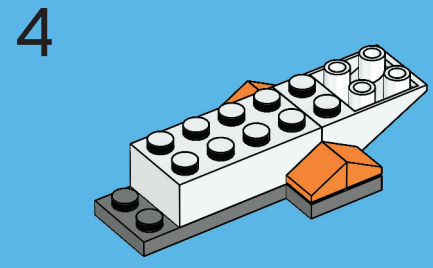
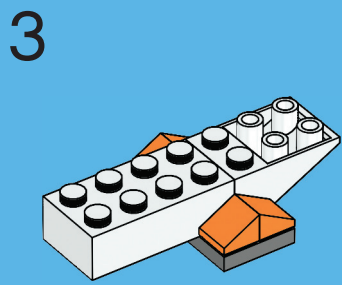
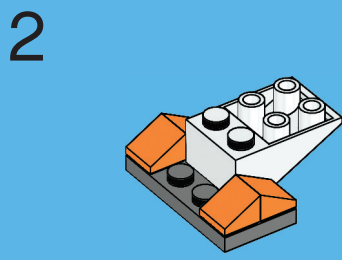
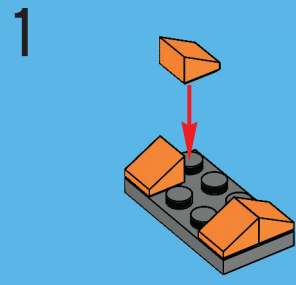


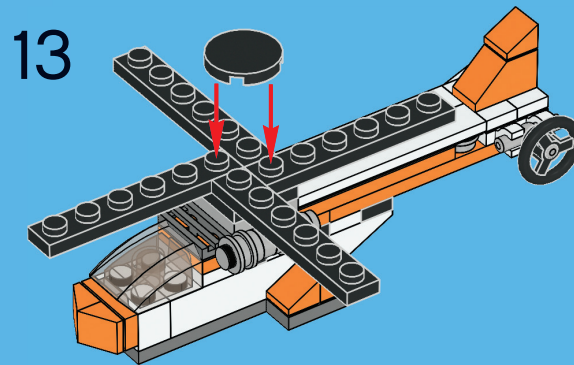
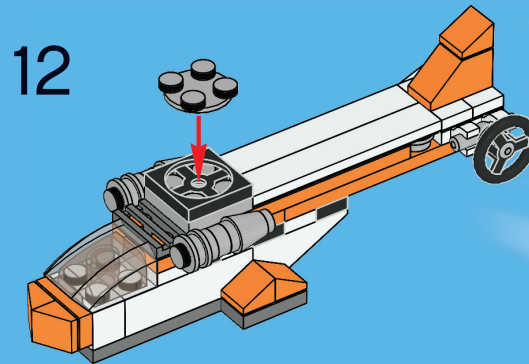
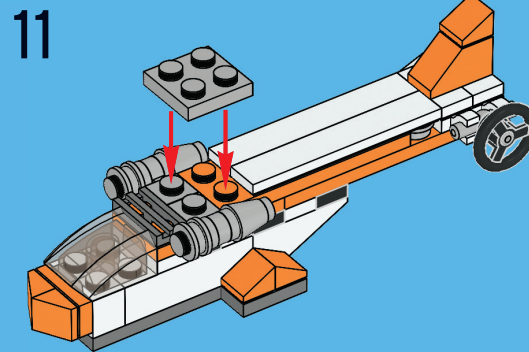
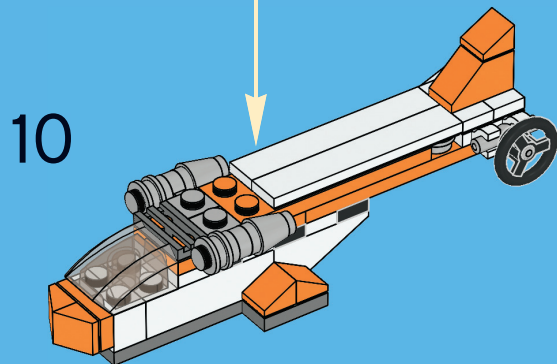
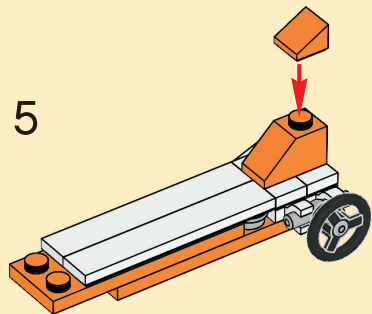
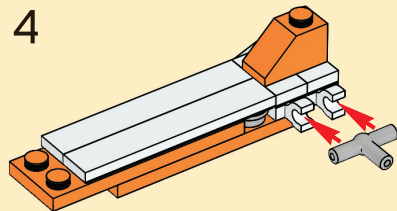
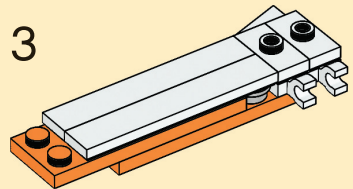
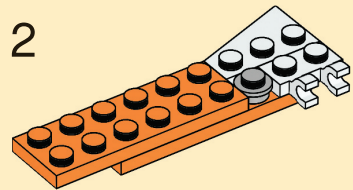
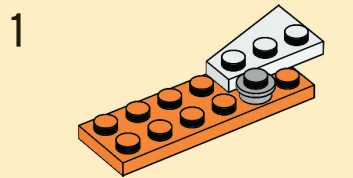
CREATOR



30181

6005992





LEGO and the LEGO logo are trademarks of the LEGO Group. ©2012 The LEGO Group.

6005992

